



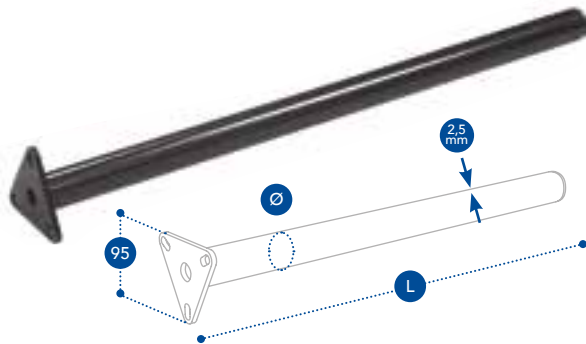
Industrial vehicles



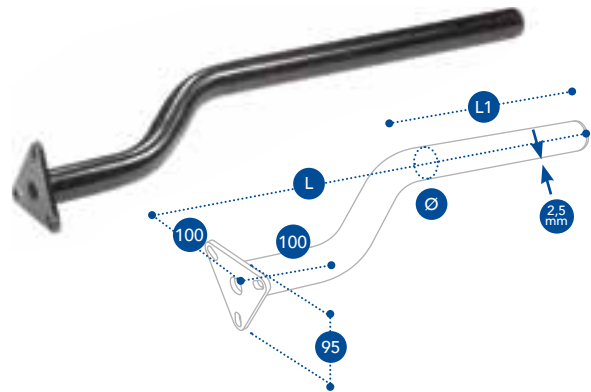
 **DOMAR**

Black powder coated stay with triangular base

Tubo verniciato nero con attacco tre fori
 Schwarz lackiertes Rohr mit drei Löcher Platte
 Tube peinture noire fixation 3 trous
 Soporte pintado negro fijación con base triangular



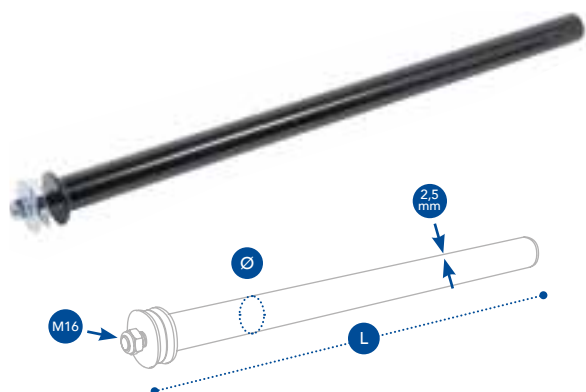
| | L | Ø |
|---------------|-----|----|
| DK8030 | 580 | 42 |
| DK8032 | 800 | 42 |
| DK8040 | 800 | 48 |



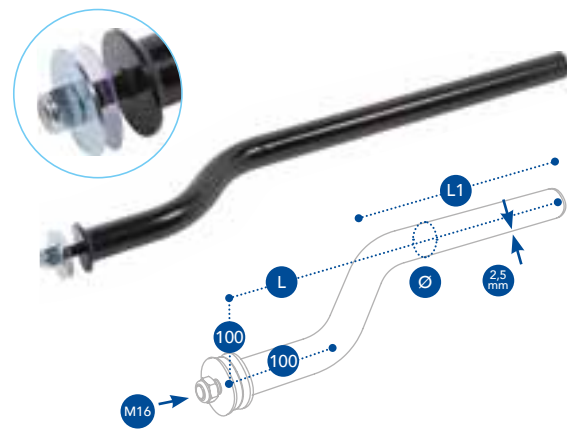
| | L | L1 | Ø |
|---------------|-----|-----|----|
| DK8034 | 580 | 310 | 42 |
| DK8036 | 800 | 530 | 42 |

Black powder coated stay with welded internal screw thread

Tubo verniciato nero con aggancio filettato
 Schwarz lackiertes Rohr mit Gewindeverschraubung
 Tube peinture noire avec accrochage fileté
 Soporte negro engancho filetado



| | L | Ø |
|---------------|-----|----|
| DK8060 | 580 | 42 |
| DK8062 | 800 | 42 |



| | L | L1 | Ø |
|---------------|-----|-----|----|
| DK8064 | 580 | 310 | 42 |
| DK8066 | 800 | 530 | 42 |