



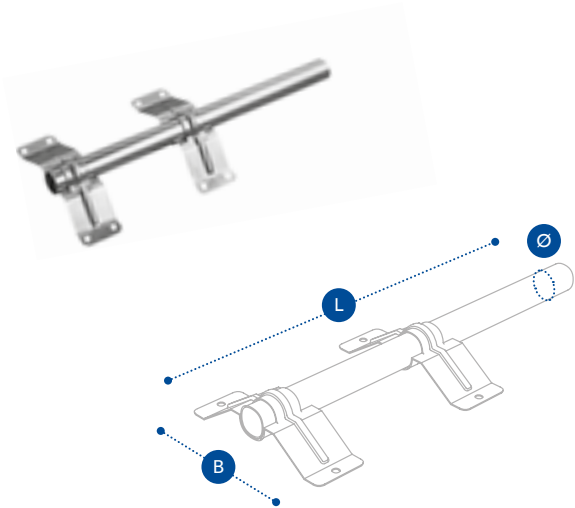
Industrial vehicles



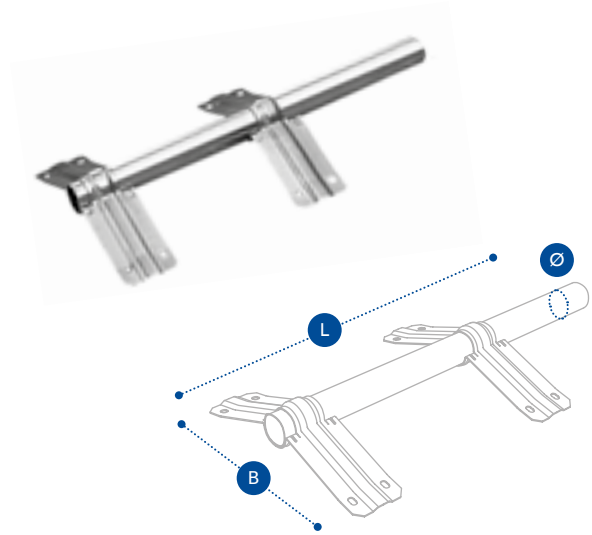
 **DOMAR**

Brackets with stay

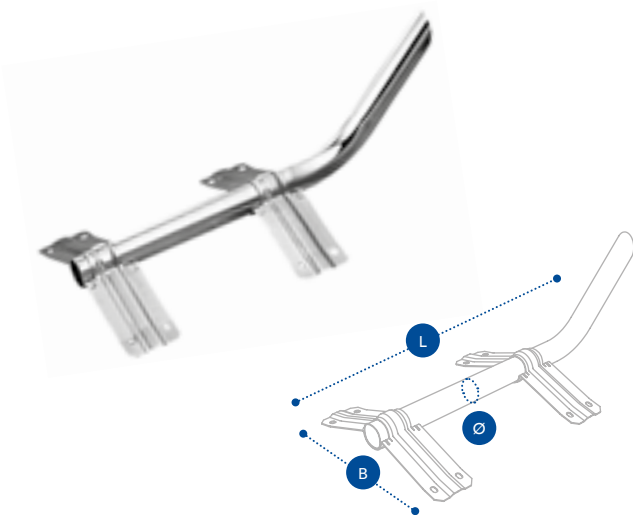
Supporto con tubo
 Halter mit Rohre
 Bride metallique avec tube
 Brida metalica con soporte



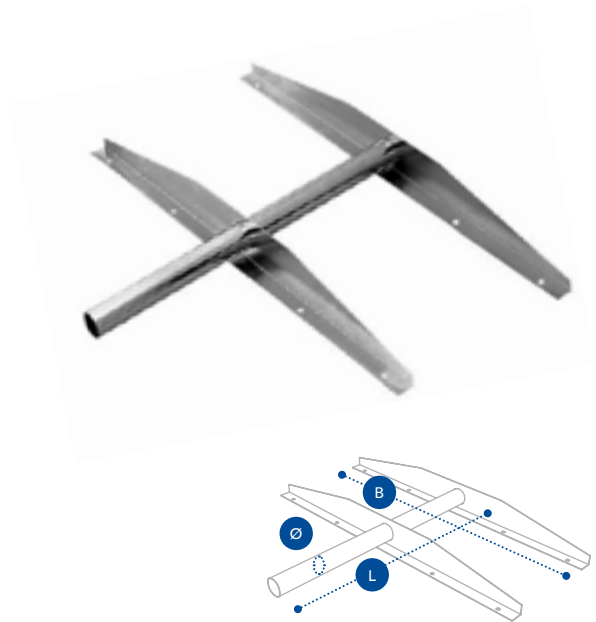
	TYPE	B	L	Ø
DK8312	ZINC PLATED	240	600	42



	TYPE	B	L	Ø
DK8318	ZINC PLATED	410	740	54
DK8320	STAINLESS STEEL	410	740	54



	TYPE	B	L	Ø
DK8322	STEEL	410	800	54
DK8324	ZINC PLATED	410	800	54
DK8326	STAINLESS STEEL	410	800	54



	TYPE	B	L	Ø
DK8328	ZINC PLATED	1000	740	54